

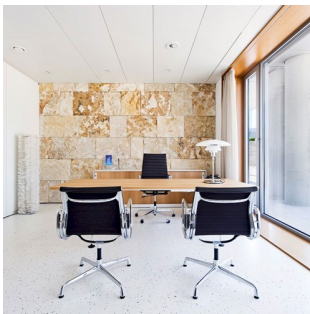
# PH 4 $\frac{1}{2}$ -3 $\frac{1}{2}$ GLASS TABLE

The fixture is designed based on the principle of a reflective three-shade system, which directs the majority of the light downwards. The shades are made of mouth-blown opal three-layer glass, which is glossy on top and sandblasted matt on the underside, giving a soft and diffused light distribution.



## Poul Henningsen

Poul Henningsen was born in Copenhagen by the famous Danish writer Agnes Henningsen. He never graduated as an architect, but studied at The Technical School at Frederiksberg, Denmark from 1911-14, and then at Technical College in Copenhagen from 1914-17.



**American Heart  
Institute**



**Sydbank**

## Product info

### Mounting

Cable type: Plastic cord with plug. Cable length: 2.7m. Light control: Switch in lamp stand.

### Finish

High lustre chrome plated. White opal glass.

### Materials

Shades: Mouth-blown white opal glass. Anti glare ring: Purple, spun aluminium. Top plate: High lustre chrome plated, spun brass. Base: High lustre chrome plated, spun brass. Stem: High lustre chrome plated, steel.

### Sizes and weights

Width x Height x Length (mm) | 450 x 550 x 450 Max 9.3 kg

### Class

Ingress protection IP20. Electric shock protection II w/o ground.

### Specification notes

The innovation of light sources is ongoing. Consequently we only inform about the max. wattages. On [www.louispoulsen.com](http://www.louispoulsen.com) we update a list of recommendable light sources.

### Light source

1x100W E27



## Related products



PH 4½-4 Glass Pendant



PH 4½-3½ Glass Floor

## Product variants

### Light source

1x100W E27

# Product description

Portable fixture.

Terse and iconic design.

The size of the three shades is adjusted for optimum performance and comfort.

Interior surfaces of glass shades sandblasted to diffuse light.

Member of a family products of various sizes and type.

---

## Mounting

Portable fixture plugs into standard wall outlet.

---

## Light description

The fixture emits glare free, comfortable light.

---

## Design

Poul Henningsen

---

## Material

Shades: mouth blown white glass, 1.5mm (0.06") thick.

Struts: chrome plated steel.

Interior reflectors: spun aluminum, lilac powder coated.

Base: steel with chrome-plated brass cover.

Stem: extruded steel, chrome plated, 1.5mm (0.06") thick.

Switch: on/off, phenolic, on base.

Socket: Porcelain, medium base for A-19, frosted envelope lamps.

---

## Weight

9.257

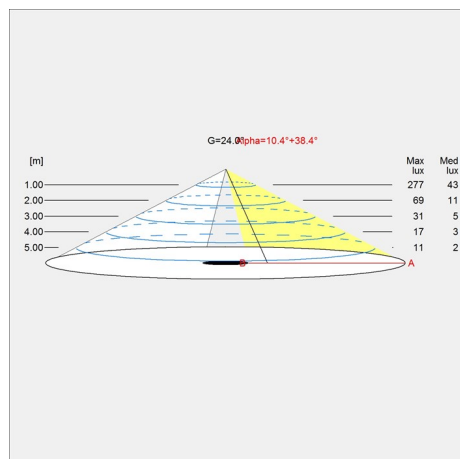
---

## Finish

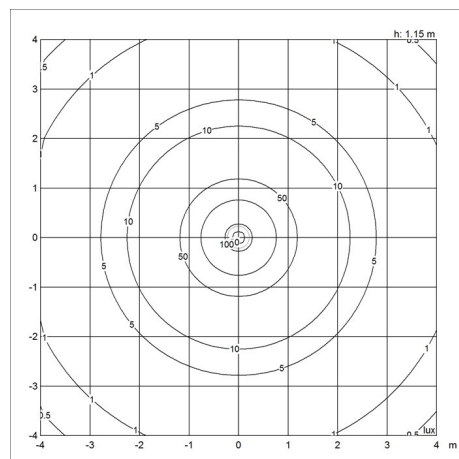
High lustre chrome plated

# Light distribution diagrams

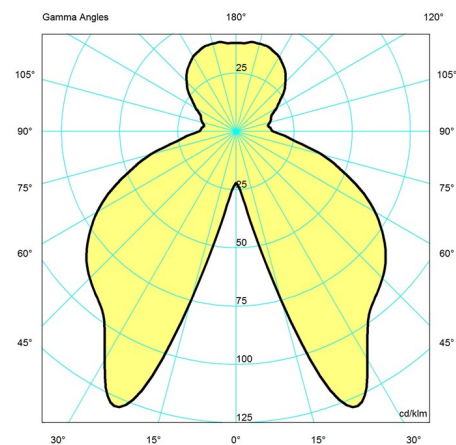
## Cartesian



## Isolux



## Polar



## Spare parts & accessories

### Product

Finger screw SS M3X12 (3pcs) lower  
 PH 4½-3½ glass Table/Floor middle shade  
 PH 4½-3½ glass Table/Floor lower shade  
 PH 4½-3½ glass Table/Floor topshade acc  
 Finger screw SS M3X16 (3pcs) middle

### Variant number

5744610528  
 5744610612  
 5744610625  
 5744610722  
 5744610845