



# ÁTOMO SOBREMESA

*Technical Information*

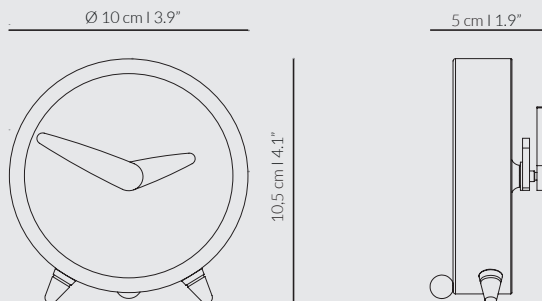
**nomon**  
JEWELRY FOR HOME

# ATOMO SOBREMESA

Technical Information

nomon  
JEWELRY FOR HOME

## TECHNICAL DRAWINGS



## MATERIALS

### BOX / CAJA

Atom sobremesa G: Walnut wood and polished brass / *Madera de nogal y latón pulido*

Atom sobremesa T: Walnut wood and graphite finished brass / *Madera de nogal y latón acabado grafito*

### HANDS / AGUJAS

Atom sobremesa G: Walnut wood / *Madera de nogal*

Atom sobremesa T: Walnut wood / *Madera de nogal*

### MECHANISM / MECANISMO

UTS German / *UTS alemán*

### ATOMO SOBREMESA G



POLISHED  
BRASS

WALNUT  
WOOD

### ATOMO SOBREMESA T



GRAPHITE  
FINISHED  
BRASS

WALNUT  
WOOD

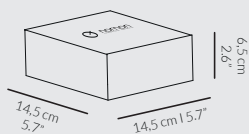
## PACKAGING

Weight / *Peso*: 0.26 Kg | 0,26 Kg

Net weight / *Peso neto*: 0.14 Kg | 0,14 Kg

Volumetric weight / *Peso volumétrico*: 0.27 Kg | 0,27 Kg

Dimensions / *Dimensiones*: 5.7" x 5.7" x 2.6" | 14,5cm x 14,5cm x 6,5cm



Assembly video / *Vídeo de montaje* : <https://youtu.be/7ltqimUbaMs>

[www.nomon.es](http://www.nomon.es)